

Technical Datasheet | Technické údaje
Valve ArtDeco 1/2" | Ventil ArtDeco 1/2" Thermostatic



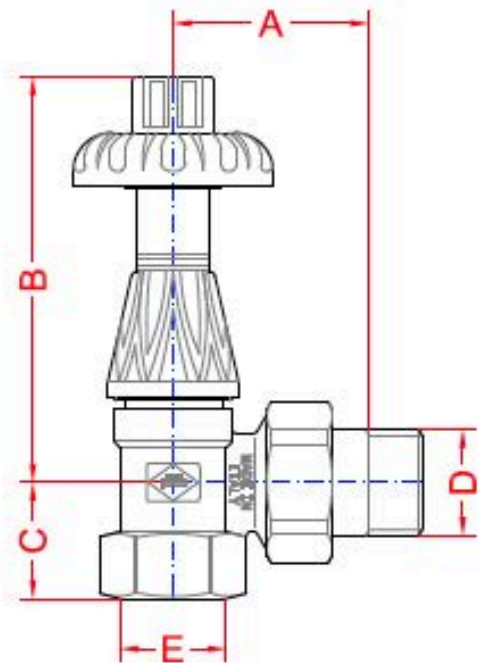
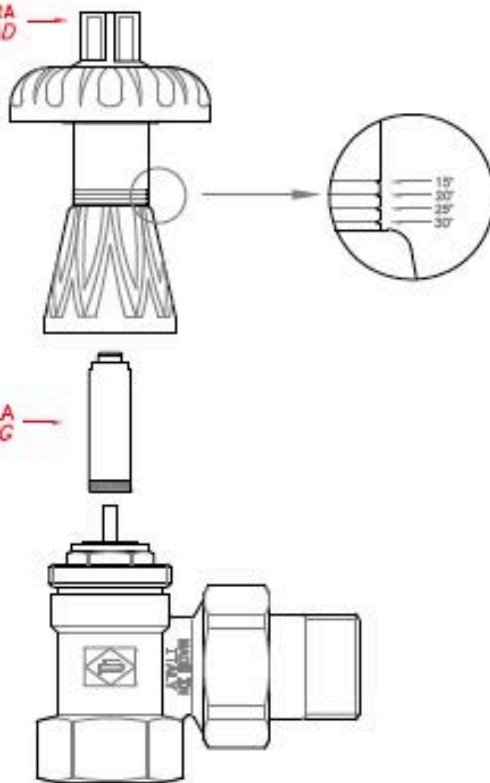
General parameters | Základní parametry

Max. working pressure	10 bar
Max. working temperature	100°C
Body material	brass EN 12165-CW617N
Connection	cooper pipes

SENSORE DI TEMPERATURA
TEMPERATURE SENSING HEAD

MANIGLIA
KNOB

CILINDRO CON MOLLA
SPRING

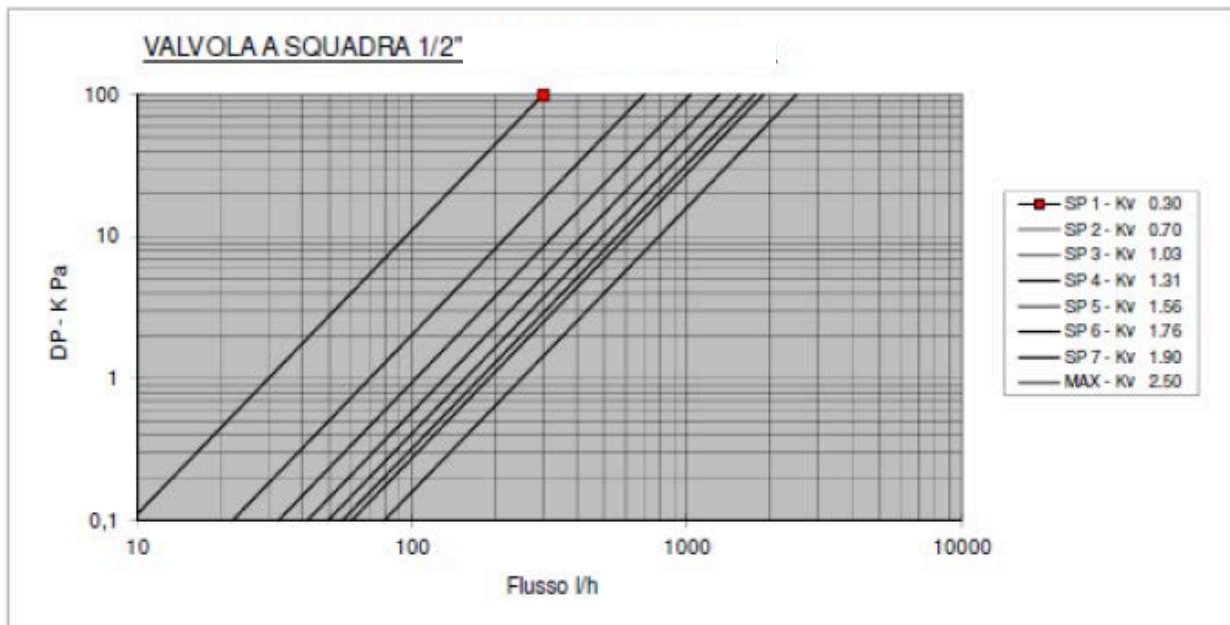


codice code	D	A	B	C	E
V68310	1/2"	53	100	28	1/2"F
V68320	3/4"	50	100	28	3/4"F

Technical Datasheet | Technické údaje

Valve ArtDeco 1/2" | Ventil ArtDeco 1/2" Thermostatic

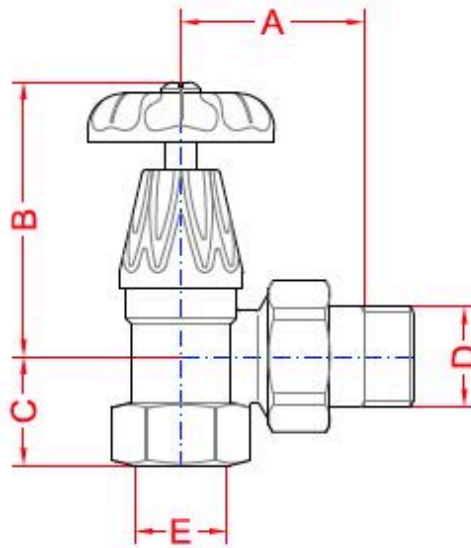
FLUSSO NORMALE Normal flow													
set-point	1	2	3	4	5	6	7	max				DP	rad. DP
0.1K Pa /h	9,48	22,12	32,548	41,396	49,296	55,616	60,04	79				0,1	31,6
10K Pa /h	300	700	1030	1310	1560	1760	1900	2500				100	1000
Kv	0,3	0,7	1,03	1,31	1,56	1,76	1,9	2,5					



Technical Datasheet | Technické údaje
Valve ArtDeco 1/2" | Ventil ArtDeco 1/2" Manual

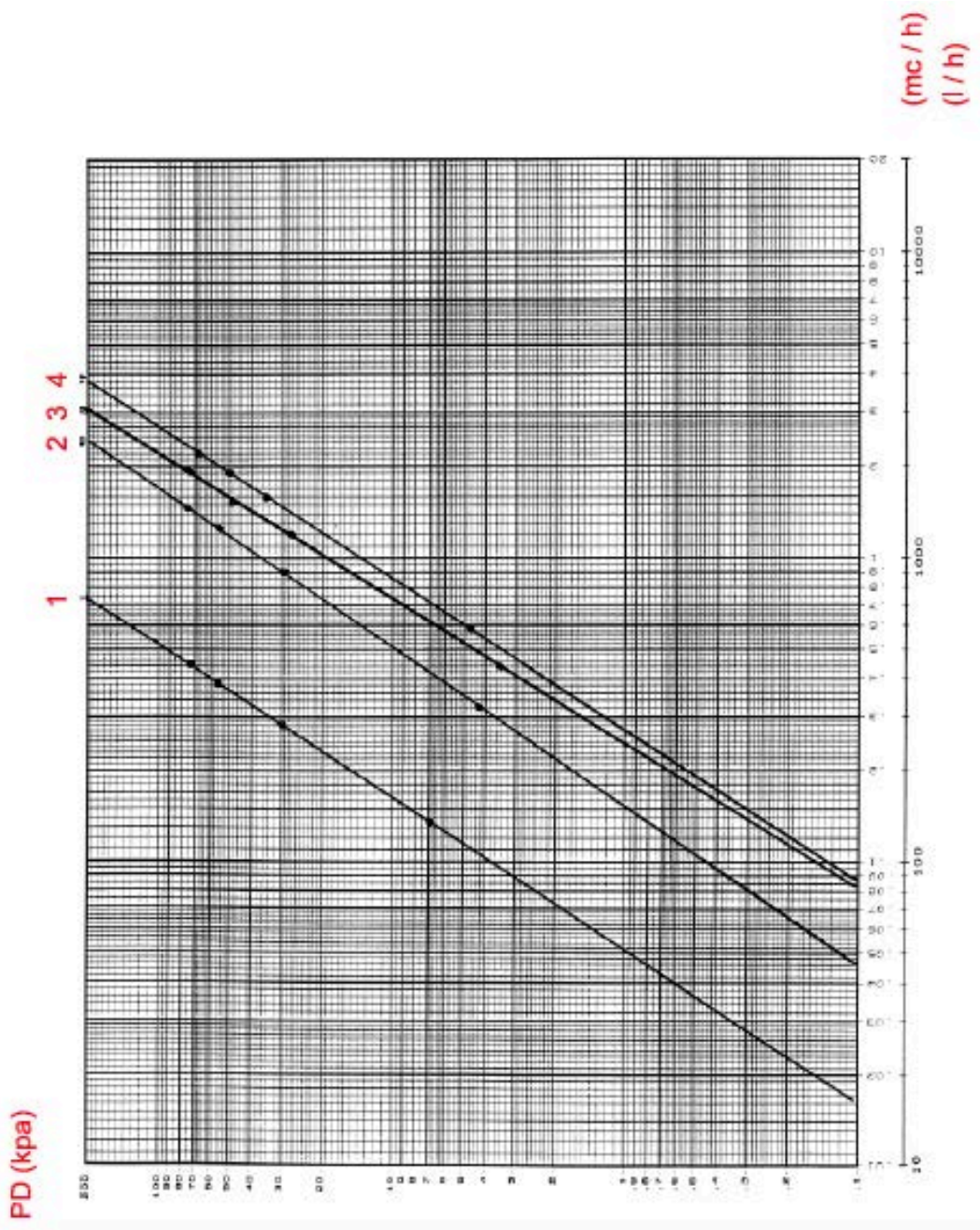


General parameters Základní parametry	
Max. working pressure	10 bar
Max. working temperature	100°C
Body material	brass EN 12165-CW617N
Connection	cooper pipes



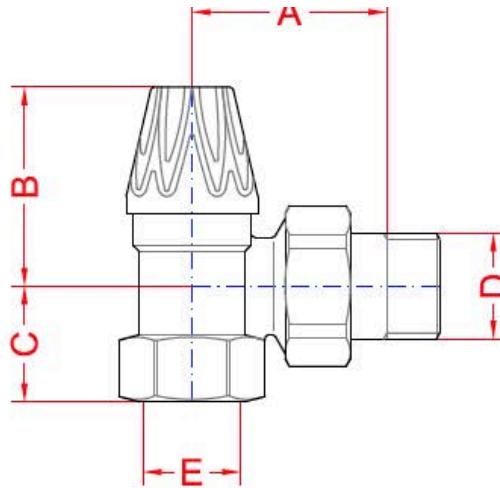
codice code	D	A	B	C	E
V67310	1/2"	55	72	28.5	1/2"F
V67320	3/4"	50	72	28.5	3/4"F

Technical Datasheet | Technické údaje
Valve ArtDeco 1/2" | Ventil ArtDeco 1/2" Manual



Technical Datasheet | Technické údaje
Return valve ArtDeco 1/2" | Zpětný ventil ArtDeco 1/2"


General parameters Základní parametry	
Max. working pressure	10 bar
Max. working temperature	100°C
Body material	brass EN 12165-CW617N
Connection	cooper or plastic pipes



codice code	D	A	B	C	E
V67410	1/2"	55	49	28.5	1/2"F
V67420	3/4"	50	49	28.5	3/4"F