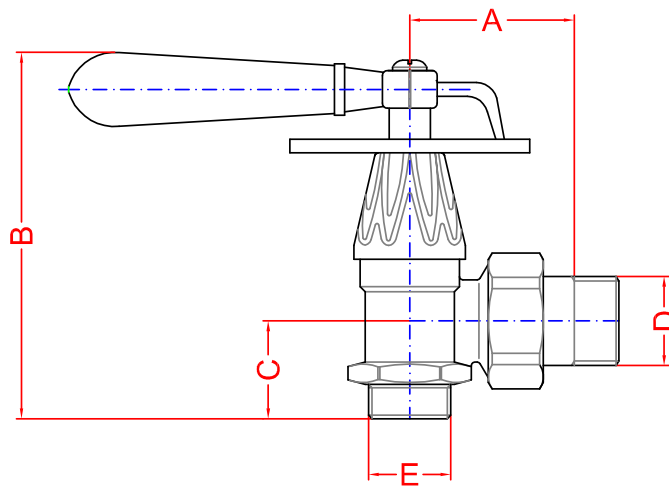


Technical Datasheet | Technické údaje
Valve Liberty | Ventil Liberty


General parameters Základní parametry	
Max. working pressure	10 bar
Max. working temperature	100°C
Body material	brass EN 12165-CW617N
Connection	cooper or plastic pipes



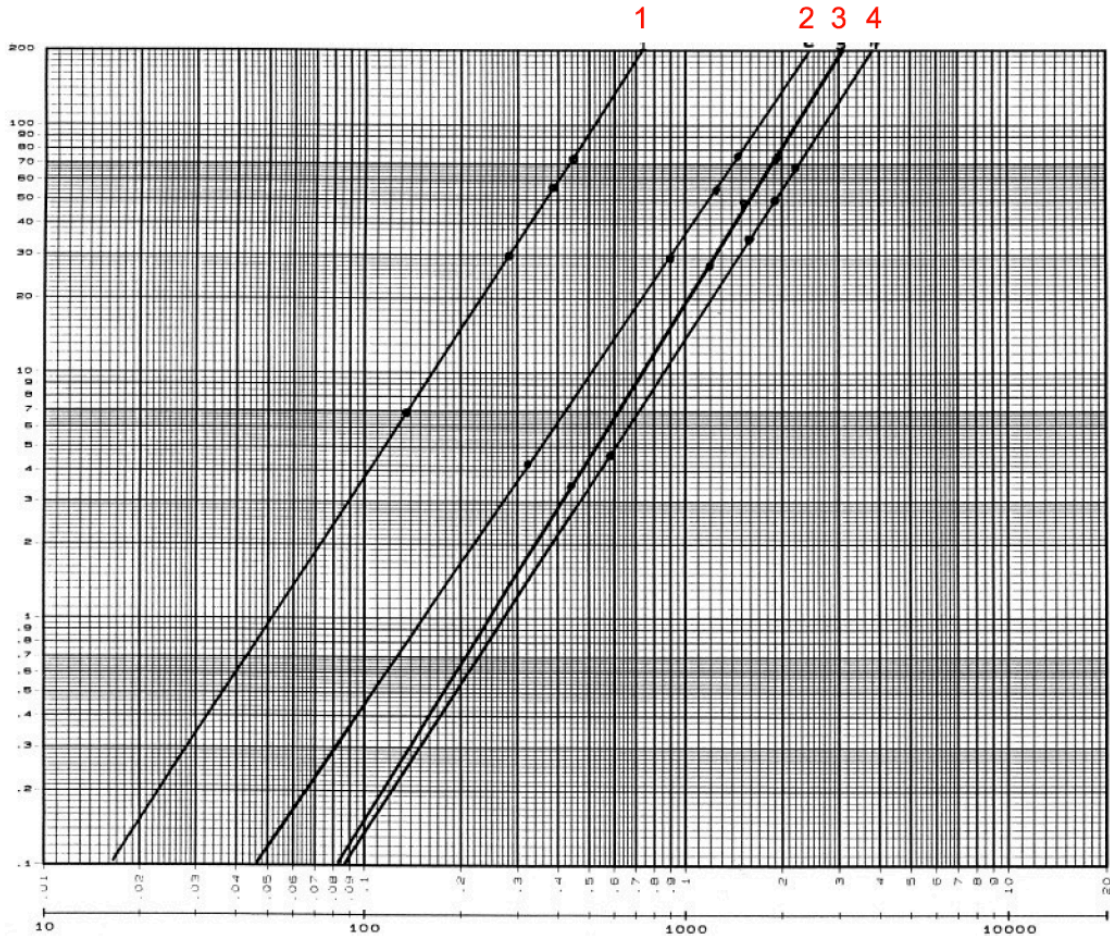
Codice	D	A	B	C	E
VLIB	1/2"	55	105	28.5	24-19

Technical features

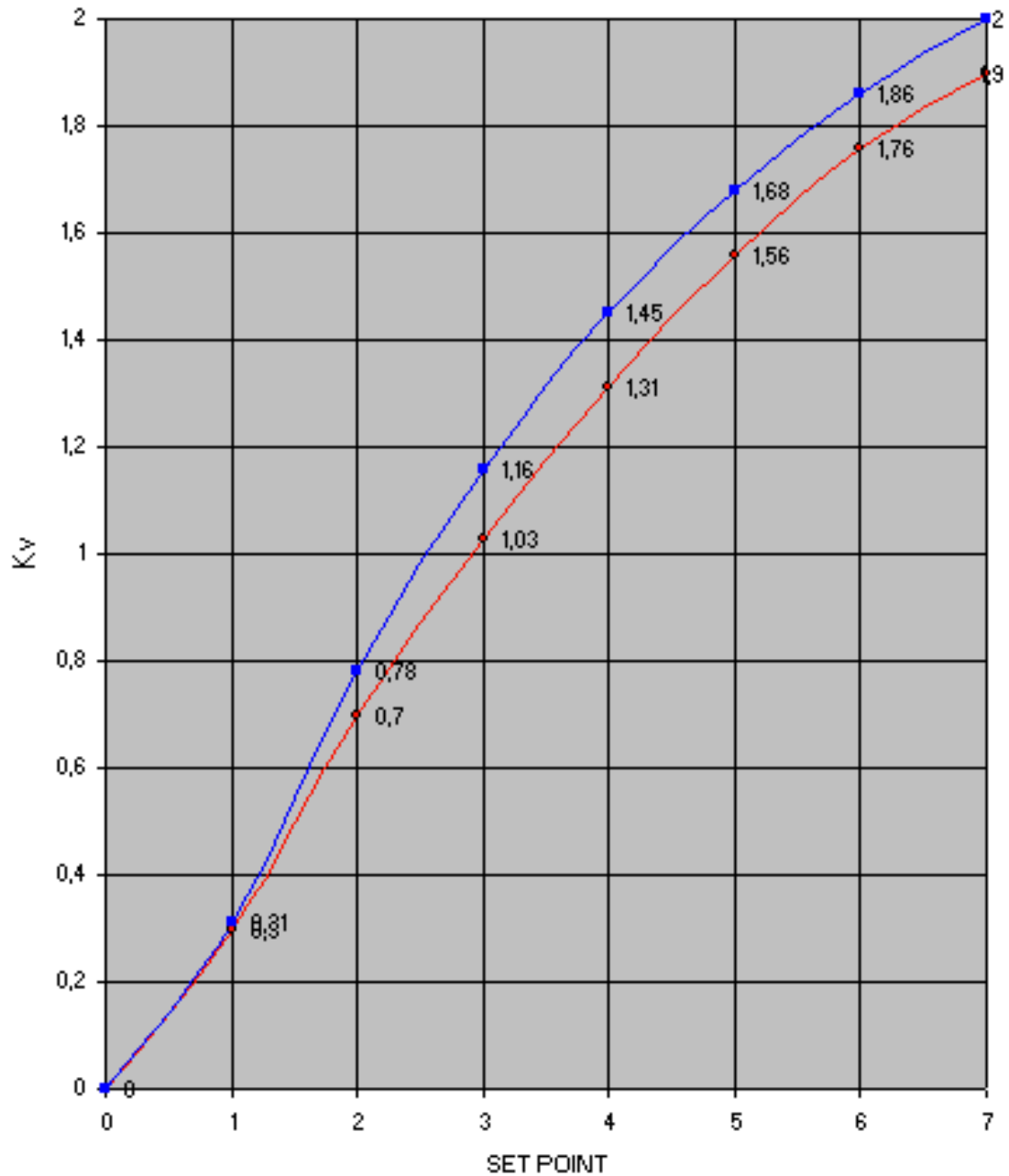
Identification	number of spindle turn	Kv
Square valve	1/2"	0.51
	1	1.69
	1 1/2"	2.20
	open	2.70

PD diagram for Liberty valve

PD (kpa)



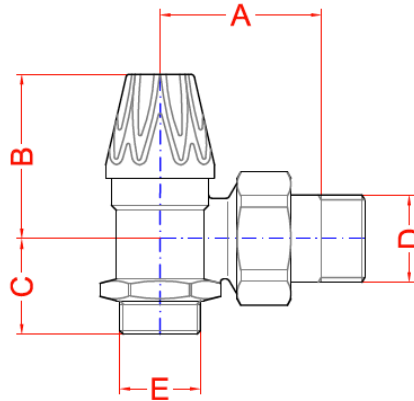
(l/hod)

KV diagram for Liberty valve


set-point	0	1	2	3	4	5	6	7	MAX.
Kv normale	0	0,3	0,7	1,03	1,31	1,56	1,76	1,9	2,5
Kv reverso	0	0,31	0,78	1,16	1,45	1,68	1,86	2	2,5

Technical Datasheet | Technické údaje
Return valve Liberty | Zpětný ventil Liberty


General parameters Základní parametry	
Max. working pressure	10 bar
Max. working temperature	100°C
Body material	brass EN 12165-CW617N
Connection	cooper or plastic pipes



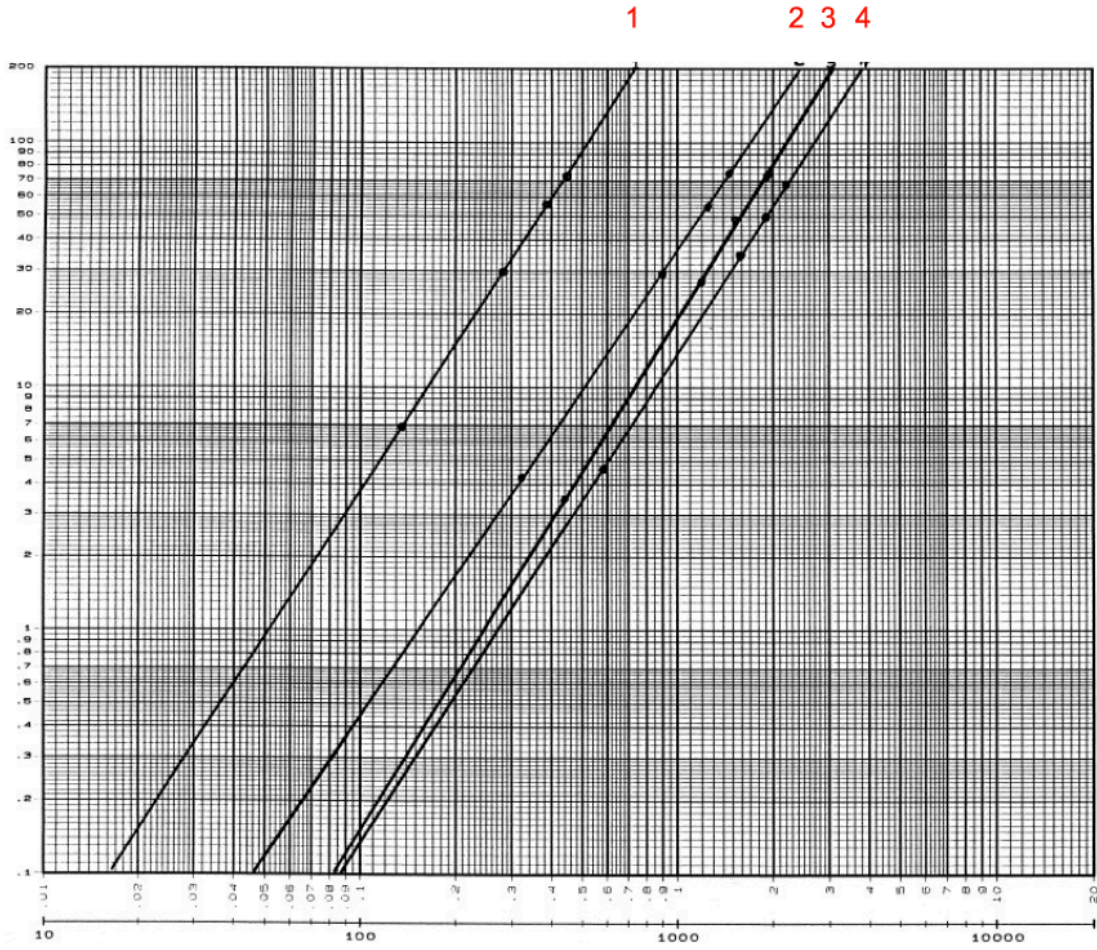
Codice	D	A	B	C	E
VLIB	1/2"	55	49	28.5	24-19

Technical features

Identification	number of spindle turn	Kv
Square valve	1/2"	0.51
	1	1.69
	1 1/2"	2.20
	open	2.70

PD diagram for Liberty valve

PD (kpa)



(mc / h)
(l / h)